

THE MOST IDEAL AND HIGH PERFORMANCE MONOCRYSTALLINE
SPV MODULE FOR OFF-GRID APPLICATIONS

CNPV-10M[P], CNPV-10M[S]

**Nobility Premium
Series by**

CNPV POWER

MOREPOWER

3% Positive Tolerance

CNPV's positive tolerance on label rating power provides higher kWh for money invested.



ARC Glass

Low iron, anti reflective coated glass gives 2% Energy gain.



Maximum edge allowance

Critical design to overcome accumulated dirt, power reduction.



Cell & Module Matching

Matching gives 2% additional power gain measured at STC conditions.



Independent Performance Verification

Independently verified by Photon and Öko-Test as amongst the best kWh/kWp output worldwide.



100% Electro Luminescence

EL screening provides defect free modules.



Unique Frame

Twist resistant frame design.



International Bankability

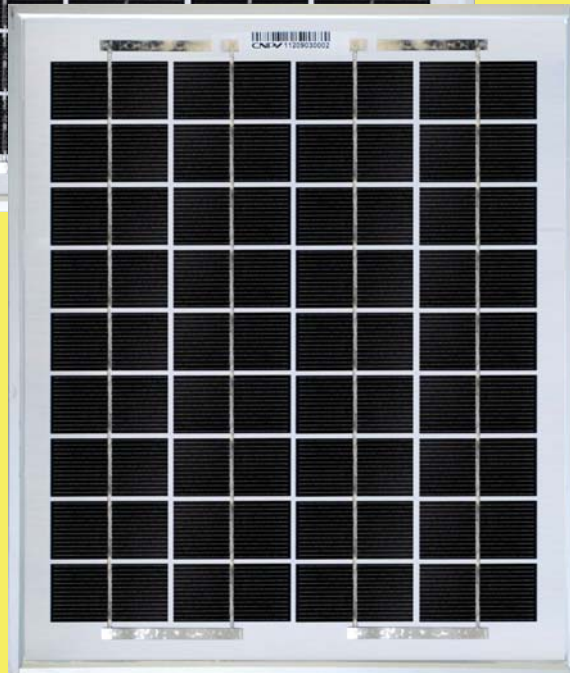
Pre-approved with financial institutions and rapid capability ensures customers' cost of project is reduced.



ISO9001 ISO14001 OHSAS18001

Audited controls for high value consistency.

10M[P]



10M[S]

Continuous improvement in reducing environmental impact.

FOR LONGER

Performance Warranty 20 years

Designed to deliver more for longer.

Workmanship Warranty 5 years

Quality locked in at manufacturing.

Strength 8000Pa

Industry leading snow loading capacity.

Accredited ammonia resistance

Outperforming competitors in extreme environments.

Accredited salt mist resistance

Long life in high pollution environments.

Low Carbon Footprint

One of the lowest carbon footprints over 100 years life cycle.

Green Credentials

Fully committed to recycling during production and end of product life, a dedicated member of PV cycle.

Eco Friendly Packaging

Friendly materials choice with high density packing.

ISO14001 accredited ISO

MUCH SAFER

AND GREENER

About CNPV

CNPV Solar Power SA, is a leading integrated manufacturer of solar photovoltaic products, that designs, manufactures and supplies highly efficient and cost effective crystalline solar photovoltaic modules. Reliability & longevity are built into our world-class crystalline solar photovoltaic modules, which undergo rigorous internal tests and external certifications (IEC61215, IEC61730, UL, and CE) to ensure peak performance and safety. For further information, please visit CNPV's website at <http://www.cnpv-power.com>, please contact us at marketing@cnpv-power.com.



ISO9001
ISO14001
OHSAS18001



Electrical Data	CNPV-10M[P]	CNPV-10M[S]
Peak Power Watts-Pmax(Wp)	10	10
Power Output Tolerance-Pmax(%)	0/+3	0/+3
Maximum Power Voltage-Vmp(V)	18.0	18.0
Maximum Power Current-Imp(A)	0.56	0.56
Open Circuit Voltage-Voc(V)	22.5	22.5
Short Circuit Current-Isc(A)	0.62	0.62
Encapsulated Solar Cell Efficiency-ηc(%)	14.5	14.5

Values at Standard Test Conditions STC (Air Mass AM 1.5, Irradiance 1000W/m², Cell Temperature 25°C)

Mechanical Data	
Solar Cells	Mono Crystalline 31.25×62.5mm
Cells Configuration	36 cells (4×9)
Module Dimension	357×303×35mm(14.06"×11.93"×1.38")
Weight	2.0Kg(4.41lb)
Glass	High transmission tempered glass with ARC
Frame	Clear anodized aluminium alloy type 6063T5; Color:silver
J-box	IP65, 1000VDC, TÜV certified with 2 schottky bypass diodes

Temperature Ratings	
Nominal Operating Cell Temperature (NOCT)	45°C(±2°C)
Temperature Coefficient of Pmax	-0.40%/°C
Temperature Coefficient of Voc	-0.30%/°C
Temperature Coefficient of Isc	0.05%/°C

Warranty
5 years workmanship warranty
20 years power performance warranty

(Please refer to CNPV product warranty for details)

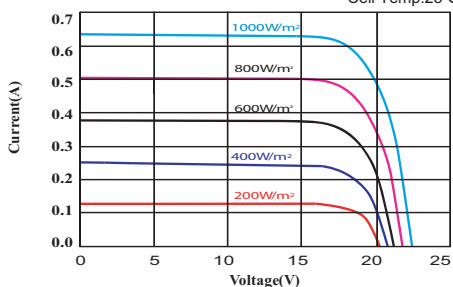
Maximum Ratings	
Operational Temperature	-40~+85°C
Maximum System Voltage	1000VDC
Maximum Series Fuse Rating	1A

Packaging Configuration	
Modules per carton	1 pcs
Modules per pallet	264 pcs
Modules per 40 ft high cubic container	7,392 pcs
Modules per 20 ft container	3,168 pcs
Dimensions of Pallet (L×W×H)	1520×1145×1095mm
Gross Weight	570kg

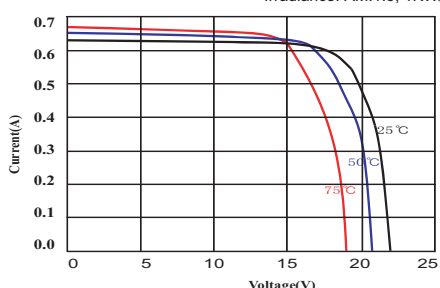


I-V Characteristics at Different Irradiance & Temperature

I-V Curves of CNPV-10M at different irradiance
Cell Temp.25°C



I-V Curves of CNPV-10M at different cell temperature
Irradiance: AM.1.5, 1KW/m²



Cell Efficiency Up to

14.5%

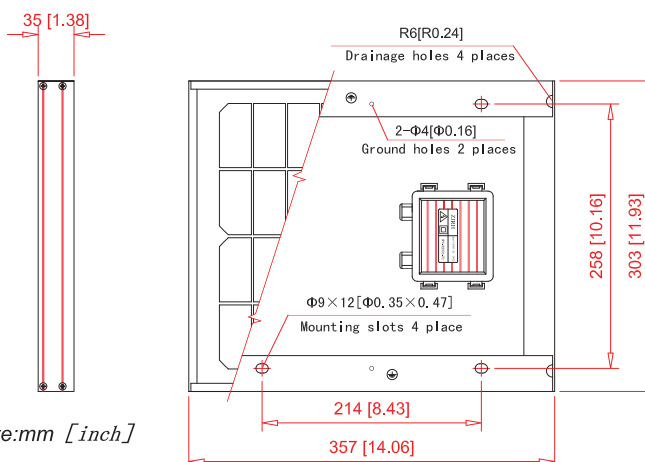
Wattage Up to

10W

Years Warranty

20

Dimensional Characteristics for 10M[P]



Note:mm [inch]

DISCLAIMER: specifications included in this datasheet are subject to change without previous notice from the company. In case of any conflicts/problems that may arise due to misinterpretation, prevailing conditions are the ones described in the original version (in English).

CNPV Solar Power SA
E-mail:marketing@cnpv-power.com
Web:www.cnpv-power.com

Our Partners:

