



**SUNLIGHT™**  
 SOLAR LIGHTING CONTROLLER

Morningstar's advanced **SunLight** solar lighting controller combines the **SunSaver** design with a microcontroller for automatic lighting control functions.

***This technology provides:***

- Proven Reliability
- Precise Lighting Control
- PWM Battery Charging

***Operation:***

- Rotary digital switch to select among 10 lighting options (see back)
- Test button flashes red LED to confirm correct rotary switch selection
- Test button turns lights on for 5 minutes (in LVD limited to 3 times)
- LVD overrides lighting timer
- Sunrise overrides lighting timer
- Timer accuracy is within 2 seconds





***Four Versions Available:***

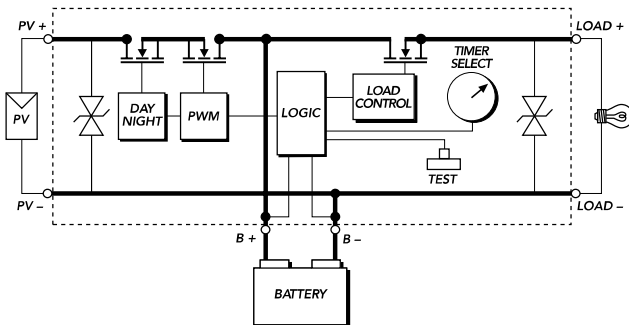
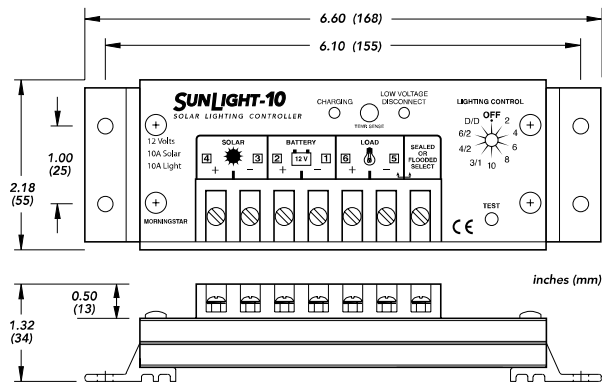
- 12 Volt: 10 and 20 amp ratings
- 24 Volt: 10 and 20 amp ratings

***Features:***

- Microcontroller digital accuracy
- Fully automatic operation
- Ten field adjustable lighting control options
- Special on/off/on functions
- Manual test capability
- LVD override protection
- Detects day and night using the PV array
- Suitable for all 12/24 Vdc lamps
- Sealed/Flooded battery select
- Temperature compensation
- Parallel with a SunSaver for 40 amps solar
- Includes SunSaver battery charging circuit

### Lighting Control Options

- |                | SUNSET   | NIGHT | SUNRISE   |
|----------------|--|-------|---|
| • OFF          |  |       |   |
| • 2 HOURS ON   |   |       |   |
| • 4 HOURS ON   |  |       |   |
| • 6 HOURS ON   |  |       |   |
| • 8 HOURS ON   |  |       |   |
| • 10 HOURS ON  |  |       |   |
| • 3 / OFF / 1  |   |       |  |
| • 4 / OFF / 2  |  |       |   |
| • 6 / OFF / 2  |  |       |   |
| • DUSK-to-DAWN |  |       |   |



### Mechanical Specifications

Wire size #10 AWG (5.2 mm<sup>2</sup>)  
 Anodized aluminum case  
 Marine rated terminals  
 Epoxy encapsulated  
 Weight is 9 oz (0.26 kg)

### Electrical Specifications

	12 Volt	24 Volt
Rated Solar Input	10/20 A	10/20 A
Rated Load	10/20 A	10/20 A
25% Current Overload	5 min.	5 min.
Regulation Voltage:		
Sealed Battery	14.1 V	28.2 V
Flooded Battery	14.4 V	28.8 V
Load Disconnect	11.7 V	23.4 V
LVD Reconnect	12.8 V	25.6 V
Temp. Comp. (mV/°C)	-27	-54
Self-consumption	8 mA	9 mA
Operating Temp.	-40 to +85°C	

**WARRANTY:** Five year warranty period. Contact Morningstar or your authorized distributor for complete terms.

**AUTHORIZED MORNINGSTAR DISTRIBUTOR:**



8 Pheasant Run  
 Newtown, PA 18940 USA  
 Tel: +1 215-321-4457 Fax: +1 215-321-4458  
 E-mail: [info@morningstarcorp.com](mailto:info@morningstarcorp.com)  
 Website: [www.morningstarcorp.com](http://www.morningstarcorp.com)

